



CorePro LED PLC

CorePro LED PLC 8.5W 840 2P G24d-3

The Philips CorePro LED PLC integrates a LED light source into a traditional fluorescent form factor. This product is the ideal solution for uplampping in general lighting applications: it meets basic lighting requirements, offers significant energy savings, and is environmentally friendly.

Product data

• General Information

Cap-Base	G24D-3 [G24d-3]
Main Application	Industrial
Nominal Lifetime (Nom)	30000 h
Switching Cycle	50000X
B50L70	30000

• Light Technical

Color Code	840 [CCT of 4000K (841)]
Beam Angle (Nom)	120 °
Luminous Flux (Rated) (Nom)	950 lm
Rated Beam Angle	120 °
Correlated Color Temperature (Nom)	4000 K
Color Consistency	6 steps
Color Rendering Index (Nom)	83
Lmf At End Of Nominal Lifetime (Nom)	70 %

• Operating and Electrical

Input Frequency	50/60 Hz
Power (Rated) (Nom)	8.5 W
Starting Time (Max)	0.5 s
Warm Up Time To 60% Light (Nom)	instant full light
Power Factor (Min)	0.9
Voltage (Nom)	220-240 V

• Temperature

T-Ambient (Max)	35 °C
T-Ambient (Min)	-20 °C
T-Storage (Max)	65 °C
T-Storage (Min)	-40 °C
T-Case Maximum (Max)	70 °C

• Controls and Dimming

Dimmable	No
----------	----

• Mechanical and Housing

Product Length	100 mm
----------------	--------

• Approval and Application

Energy Saving Product	Yes
Suitable For Accent Lighting	No
Energy Efficiency Label (EEL)	A+
Approval Marks	CE marking RoHS compliance KEMA Keur certificate
Energy Consumption kWh/1000 h	11 kWh

• Product Data

Full product code	871869654125800
Order product name	CorePro LED PLC 8.5W 840 2P G24d-3
EAN/UPC - Product	8718696541258
Order code	929001201302

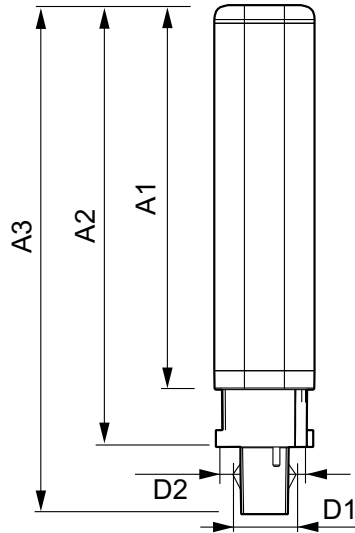
PHILIPS

CorePro LED PLC

Numerator - Quantity Per Pack 1
Numerator - Packs per outer box 10

Material Nr. (12NC) 929001201302
Net Weight (Piece) 0.090 kg

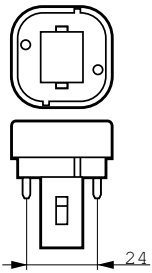
Dimensional drawing



G24d-3, 2P

LEDtube PLC 8.5W G24d-3/840 2P

Product	D1	D2	A1	A2	A3
CorePro LED PLC 8.5W 840 2P G24d-3	24.3 mm	28.4 mm	147.5 mm	128.3 mm	170.1 mm



© 2016 Philips Lighting Holding B.V.
All rights reserved.

Specifications are subject to change without notice. Trademarks are the property of Koninklijke Philips N.V. (Royal Philips) or their respective owners.

www.philips.com/lighting

2016, February 24
data subject to change