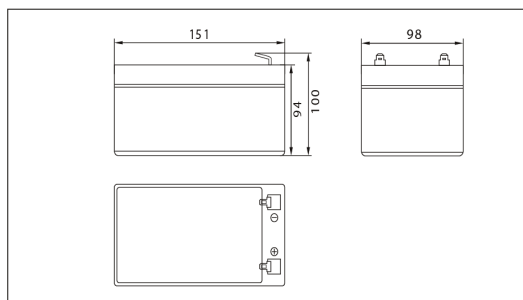


Item Code: 1636LI12-12

Product description: LI 12-12 ACCUMULATORE 12V 12Ah



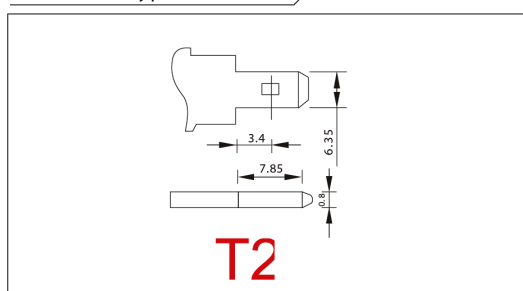
● Outer dimensions (mm)



● Specifications

Nominal Voltage		12V
Rated capacity (20 hour rate)		12Ah
Dimensions	Total Height	100 mm (3.94 inches)
	Height	94 mm (3.70 inches)
	Length	151 mm (5.94 inches)
	Width	98 mm (3.86 inches)
Weight Approx		3.7 Kg (8.17 lbs)

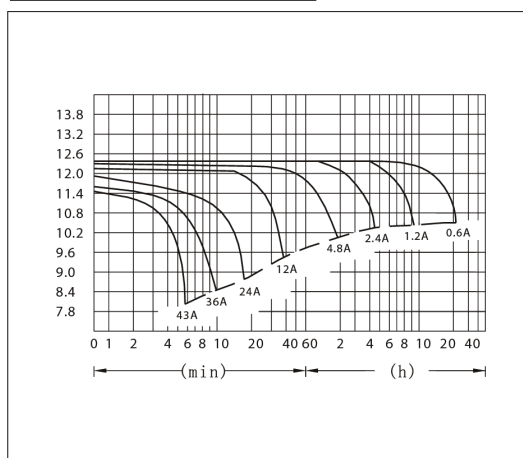
● Terminal Type (mm)



● Characteristics

Capacity 25 °C (77 °F)	20 hour rate (0.60 A)	12 AH
	10 hour rate (1.10 A)	11.0 AH
	5 hour rate (2.04 A)	10.2 AH
	1 hour rate (7.20 A)	7.20 AH
	1.5 hour discharge to 10.5V	4.8 A
Internal Resistance	Full charged Battery at 25 °C (77 °F)	21 m Ω
Capacity affected by Temperature (20hour rate)	40 °C (104 °F)	102%
	25 °C (77 °F)	100%
	0 °C (32 °F)	85%
	-15 °C (5 °F)	65%
Self-Discharge at 25 °C (77 °F)	Capacity a fter 3 month storage	91%
	Capacity a fter 6 month storage	82%
	Capacity a fter 12 month storage	64%
Terminal	T2	
Charge (constant Voltage)	Cycle	Initial Charging Current less than 4.80A
		Voltage 14.10-14.40V
	Float	Voltage 13.50-13.80V

● Discharge Curves 25 °C (77 °F)



Time	5min	10min	15min	30min	1h	2h	3h	4h	5h	8h	10h	20h	
9.60V	A	43.2	28.3	21.0	13.8	7.20	4.20	3.09	2.48	2.11	1.39	1.13	0.62
	W	509.5	320.0	242.0	146.5	83.0	48.6	35.75	28.70	24.35	16.05	13.15	7.20
10.20V	A	39.6	27.1	19.3	13.1	6.76	4.03	3.00	2.40	2.06	1.37	1.12	0.61
	W	479.5	303.0	227.5	145.5	78.0	46.7	34.75	27.80	23.90	15.80	12.90	7.00
10.50V	A	36.1	25.3	18.0	12.7	6.54	3.95	2.95	2.28	2.04	1.35	1.10	0.60
	W	463.0	294.0	217.5	144.0	75.7	45.8	34.15	26.40	23.75	15.65	12.80	6.95
10.80V	A	34.6	24.2	16.8	12.4	6.32	3.85	2.90	2.24	1.95	1.31	1.07	0.59
	W	406.0	285.0	209.5	143.5	73.5	44.8	33.75	26.08	22.70	15.00	12.50	6.80
11.10V	A	32.0	22.8	15.6	12.0	6.10	3.75	2.75	2.20	1.87	1.28	1.05	0.57
	W	392.5	275.5	199.5	142.5	72.5	44.5	32.75	26.00	22.20	14.50	12.25	6.75



ISO 14001: 2004
Sistema di gestione ambientale



CI ITPI: 2015
100% Made in Italy
Certificate



ISO 9001: 2008
Sistema di gestione della qualità



OHSAS 18001: 2007
Sistema di gestione per la salute e sicurezza sul lavoro

LINCE ITALIA S.p.A.

Via Variante di Cancelliera s.n.c., Ariccia (RM) Italia
Tel.: +39 06/09301801 - Fax: +39 06/0930180233

www.lincede.net - info@lincede.net
MD-03.11 Rev. 3 - Pag.: 1 di 1