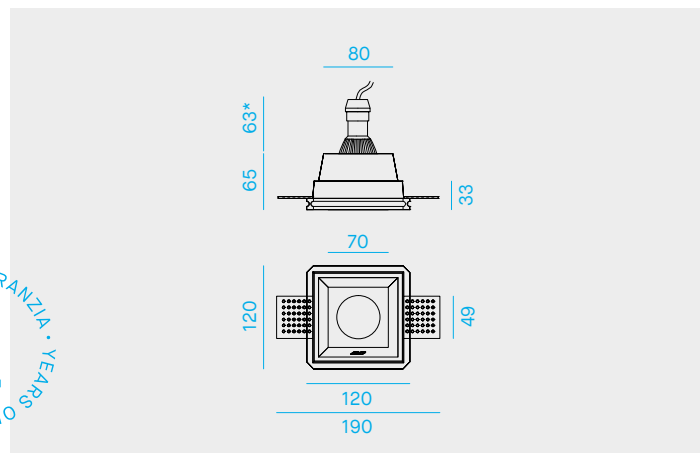
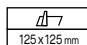
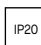




9096

Codice - Code	W	V	Lamp holder
9096	50	220-240	GU10

2 ANNI DI GARANZIA
2 YEARS OF GUARANTEE



					A++	A+	A	B	C	D	E
--	---	---	---	---	-----	----	---	---	---	---	---

Incasso a scomparsa totale, installazione in soffitto di cartongesso.

Recessed perfectly ceiling-integrated for plasterboard installation.

Encastrés en plâtre au faux-plafond.

Gipseinbauleuchte für Gipskartondecken.

Corpo in gesso.

Body in gypsum.

Corps en plâtre.

Gehäuse aus Gips.

Portalampe incluso nella confezione.

Lamp holder included.

Douille inclus dans l'emballage.

Fassung enthalten.

** Lampada non inclusa. Dato indicativo di una lampada tipo.*

** Lamp not included. General dimension of standard lamp*

** Lampe pas incluse. Information générique d'une lampe exemple.*

** Lampe nicht enthalten. Allgemeine Information durch einen Lampen-Typ.*