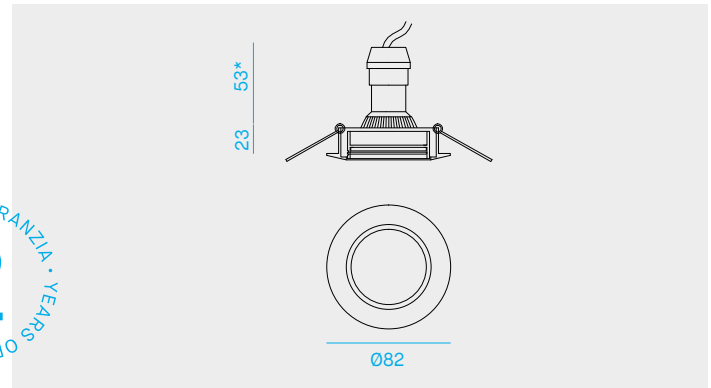



4112/H

Code	W/max	V	Lamp holder
4112/H/BI	8	220-240	GU10
4112/H/GD	8	220-240	GU10
4112/H/CR	8	220-240	GU10
4112/H/NS	8	220-240	GU10



2 ANNI DI GARANZIA • YEARS OF GUARANTEE



Incasso orientabile.

Adjustable recessed fitting.

Appareil à encastrer orientable.

Verstellbare Einbauleuchte.

Finiture in metallo.

Metal finishing.

Finitions en métal.

Metall Ausführung.

* **Lampada LED** non inclusa.
Dato indicativo di una lampada tipo.

* **LED Lamp** not included.
General dimension of standard lamp.

* **Lampe LED** pas incluse. Information
générique d'une lampe exemple.

* **LED Lampe** nicht enthalten. Allgemeine
Information durch einen Lampen-Typ.