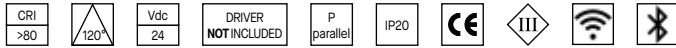
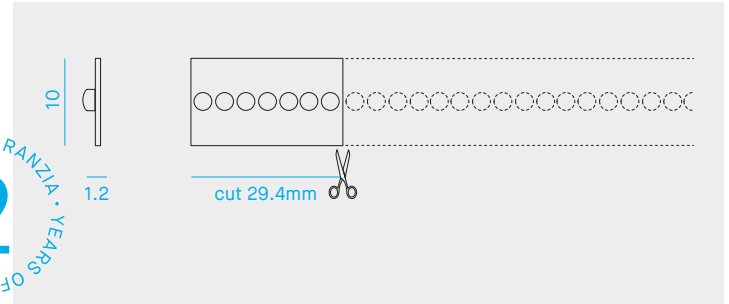




70092

Code	Nominal lm/m	Real lm/m	W/m	CCT	LED/m
70092/2700K	1917	1569	11	2700K	238
70092/C	2018	1652	11	3000K	238
70092/N	2260	1850	11	4000K	238
70092/F	2260	1850	11	6000K	238



Striscia LED da interno di 5 metri.

LED strip for indoor use of 5m.

Bandeau LED pour l'intérieur de 5 mètres.

LED Lichtband für innen von 5 Meter.

LED 2835, montato su nastro flessibile autoadesivo 3M.

2835 LED, assembled on flexible 3M sticky tape.

LED 2835, réalisé sur circuit flexible 3M autocollant.

LED 2835, im Stromkreis realisiert flexibler Aufkleber 3M.

Life time 30.000h (rendimento 70%).

Life time 30.000h (70% lumen maintenance).

Durée de vie 30.000h (rendement 70%).

Lebensdauer 30.000h (Lichtstrom 70%).

È possibile tagliare o piegare il nastro ogni 29.4mm (7 LED). Lunghezza massima consentita del nastro è 5 metri.

Possible flexible and cut points every 29.4mm (7 LEDs). Maximum length allowed for the tape is 5m.

Le bandeau peut être coupé ou plié tous les 29.4mm (7 LEDs). Longueur maximum pour le circuit flexible 5 mètres.

Alle 29.4mm (7 LED) schneid- oder biegsam. Maximal zulässige Länge des Bandes beträgt 5 Meter.

Profili in alluminio da ordinare separatamente, (idonei per una adeguata dissipazione del calore).

Aluminium profiles to be ordered separately, (suggested for a suitable heat dissipation).

Profils en aluminium à commander séparément (pour une correcte dissipation de la chaleur).

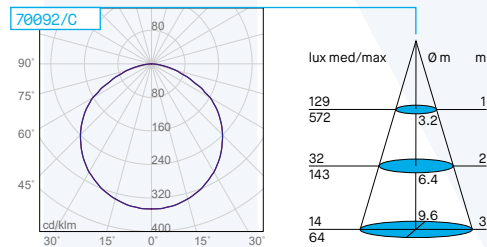
Aluminiumprofile separat zu bestellt (wichtig für eine ausreichende Wärmeableitung).

Il collegamento di più strisce LED ad un solo alimentatore va effettuato in parallelo.

In case more LED strips have to be connected to one power supply, connect them in parallel.

Il est possible de brancher en parallèle plusieurs bandeaux sur la même alimentation.

Mehrere LED-Lichtbänder sollten parallelgeschaltet werden.



Alimentatori da ordinare separatamente — Power supplies to be ordered separately - Unités d'alimentation à commander séparément — Netzgerät separat zu bestellen

Code IP20	W	max m	Code IP20	W	max m	Code IP67	W	max m	Code IP67	W	max m
5855	20	1.5	5801 (PUSH/DIM1-10V)	100	7.5	5788	25	1.5	5784	100	7.5
5674	70	5.0	5802/T (PUSH/DALI)	100	7.5	5789	40	3.0	5672	150	11.5
5678	75	5.5				5782	60	4.5	5676	150	11.5
5677	120	9.0				5673	70	5.0	5785	240	13.5
5675	150	11.5				5783	75	5.5	5786	320	24.0

calcolo eseguito con tolleranza assorbimento +20% - calculation with an electrical absorption tolerance of +20%

Unità di gestione da ordinare separatamente — *Control units to be ordered separately* - Unités de gestion à commander séparément — *Steuergeräte separat zu bestellen*

Code	Descrizione	Description
5862	Dimmer PUSH/DIM 0/1-10V	Dimmer PUSH/DIM/1-10V
5856	Dimmer PWM PUSH/DIM 0/1-10V	Dimmer PWM PUSH/DIM/1-10V
5834/B	Centralina Bluetooth RGB-RGBW-Tunable White-Dimming	RGB-RGBW-Tunable White-Dimming Bluetooth control unit
186155/DIMMER	Dimmer 1-10V monocolor	Dimmer 1-10V mono-colour
5854	Dimmer DALI monocolor	DALI mono-colour dimmer
5950/TW	Centralina di controllo Tunable White e Dimming	Tunable White and Dimming control unit
5951/C	Telecomando a 4 zone per centralina 5950/TW	Remote controller 4 zones for 5950/TW control unit
5952/T	Pannello Touch da parete a 4 zone per centralina 5950/TW	Wall touch panel 4 zones for 5950/TW control unit
5960/U	Centralina Wi-Fi RGB-RGBW-Tunable White-Dimming	RGB-RGBW-Tunable White-Dimming Wi-Fi control unit
5961/G	Gateway Wi-Fi per centralina 5940/U e 5950/TW	Gateway Wi-Fi for 5940/U and 5950/TW control unit
5811	Controller DMX a 3 canali	3 channels DMX controller
5812	Amplificatore di segnale a 3 canali	3 channels signal amplifier
5921/S	Amplificatore di segnale a 5 canali	5 channels signal amplifier

Gestione della luce / *Light management*, see [cat.42](#)

Profili in alluminio compatibili - *Suitable aluminium profiles available* - Profils en aluminium appropriés disponibles - *Geeignete Aluminiumprofile erhältlich*

Code	Code	Code
BARRA/STRIP/3 ✓	BARRA/STRIP/12 ✓	PA/01 ✓
BARRA/STRIP/3E ✓	BARRA/STRIP/16 ✓	PA/02/S ✓
BARRA/STRIP/4 ✓	BARRA/STRIP/17 ✓	PA/03 ✓
BARRA/STRIP/5 ✓	BARRA/STRIP/18 ✗	PA/04 ✓
BARRA/STRIP/6 ✓	BARRA/STRIP/19 ✓	PA/05 ✓
BARRA/STRIP/8 ✓	BARRA/STRIP/22 ✓	PA/06 ✓
BARRA/STRIP/9 ✓	BARRA/STRIP/23 ✓	PA/07 ✓
BARRA/STRIP/10 ✓	BARRA/STRIP/24 ✓	PA/08 ✓
BARRA/STRIP/11 ✓		

Profili in alluminio idonei per un'adeguata dissipazione, da ordinare separatamente.
Aluminium profiles suggested for a suitable heat dissipation, to be ordered separately.
Profils en aluminium pour une correcte dissipation à commander séparément.
Aluminiumprofile zur korrekten Ableitung sind separat zu bestellen.

Kit emergenza disponibile su richiesta — *Emergency kit available upon request* - Kit éclairage secouru disponible sur demande - *Notfall Kit auf Anfrage erhältlich*

Code	Descrizione	Description	Description	Beschreibung
KIT EM/LED/1H	Kit emergenza per LED 1 ora - Batt.7.2V - 1.5Ah	Emergency kit for LED 1 hour - Batt.7.2V - 1.5Ah	Kit éclairage secouru pour LED 1 heure - Batt.7.2V - 1.5Ah	Notfall Kit für LED 1 Stunde - Batt.7.2V - 1.5Ah
KIT EM/LED/3H	Kit emergenza per LED 3 ore - Batt.7.2V - 4Ah	Emergency kit for LED 3 hours - Batt.7.2V - 4Ah	Kit éclairage secouru pour LED 3 heures - Batt.7.2V - 4Ah	Notfall Kit für LED 3 Stunden - Batt.7.2V - 4Ah