



WALKER



Product code	Color
155180	-

General

Notes	: Steel louvre, for an asymmetric light beam (accessory)
Indoor/Outdoor	: Outdoor
Norms	: The light fixture must be picked up and disposed of at the end of its life., EN60598-2-13

Application	: Walkways, Natural features, Green areas
-------------	---

Physical

Mounting type	: Ground - recessed
Materials	: Stainless steel, High resistant technopolymer
Mechanical load (Kg)	: 2000

Electrical

Cable gland	: PG11
Screws	: Stainless steel

Dimension

Shape	: Round
External diameter (mm)	: 175
Cutout shape	: Round
Cutout Diameter (mm)	: 166
Recessed depth (mm)	: 270

Weight

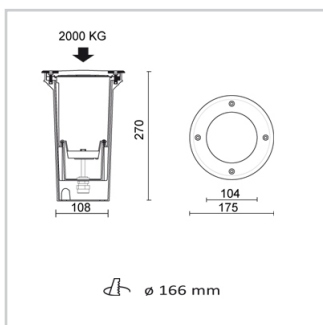
Weight (Kg)	: 1.2
-------------	-------

Optical

Aiming	: Fixed
Light distribution	: Symmetric
Light emission	: Direct
Temperature max (°C)	: 100
Diffuser	: Screen in clear polycarbonate shockproof, hard-wearing
Reflector	: Dichroic
Ring	: Stainless steel
Optics note	: Frosted anti-dazzle inner glass

Lamp

Lamps description	: IRR63 40W E27
Number of heads	: 1
Number of lamps	: 1

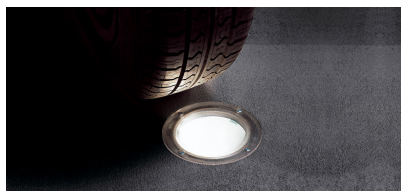


Accessories



160965 Steel refractor grid

Pictures and Applications



Lamps

Categories

Type

Wattage (W)

Base



Halogen

IRR63

40

E27