

# MASTER LEDspot PAR

## MASLEDspot D 9.5-90W 840CW PAR30S 25D SO



With its robust design and warm-white beam of light, these new-generation PAR lamps are ideal for general lighting and spot lighting in the hospitality industry. There is a choice of dimmable and non-dimmable versions. They are especially suitable for public areas such as lobbies, corridors, stairwells, where the light is always on. Compatible with existing fixtures with an E27 holder and designed for retrofit replacement of halogen/incandescent lamps, MASTER LEDspot PAR deliver huge energy savings and minimize maintenance cost without any reduction in brightness. The IP44-rated outdoor version of the PAR 38 lamp is one of the few energy-saving alternatives to incandescent PAR38 outdoor lamps available today. The dimmable PAR 20 is a perfect replacement for an incandescent spot.

### Product data

#### • General Information

Cap-Base	E27
Bulb Shape	PAR30S [ PAR 3.75 inch/95mm Short]
Nominal Lifetime (Nom)	40000 h
Switching Cycle	50000X
Technical Type	9.5-90W

#### • Light Technical

Color Code	840 [ CCT of 4000K (841)]
Beam Angle (Nom)	25 °
Light Distribution	Medium beam 25°
Luminous Flux (Nom)	890 lm
Luminous Flux (Rated) (Nom)	890 lm
Luminous Intensity (Nom)	3850 cd
Color Designation	Cool White (CW)
Rated Beam Angle	25 °
Correlated Color Temperature (Nom)	4000 K
Luminous Efficacy (rated) (Nom)	93.7 lm/W
Color Consistency	6 steps
Color Rendering Index (Nom)	80
LLMF At End Of Nominal Lifetime (Nom)	70 %

Luminous Flux In 90° Cone (Rated)	875 lm
-----------------------------------	--------

#### • Operating and Electrical

Input Frequency	50 to 60 Hz
Power (Rated) (Nom)	9.5 W
Lamp Current (Nom)	44 mA
Wattage Equivalent	90 W
Starting Time (Nom)	0.5 s
Warm Up Time To 60% Light (Nom)	0.5 s
Power Factor (Nom)	0.85
Voltage (Nom)	230 V

#### • Controls and Dimming

Dimmable	Yes
----------	-----

#### • Approval and Application

Suitable For Accent Lighting	Yes
Energy Efficiency Label (EEL)	A+
Energy Consumption kWh/1000 h	10 kWh

**PHILIPS**

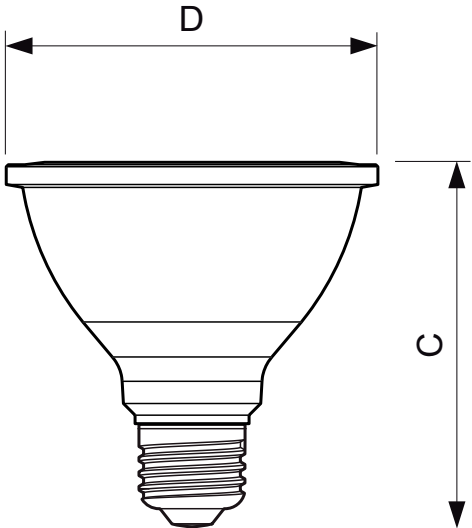
# MASTER LEDspot PAR

## • Product Data

Full product code 871869655082300  
Order product name MASLEDspot D 9.5-90W 840CW  
PAR30S 25D SO  
EAN/UPC - Product 8718696550823  
Order code 929001198802

Numerator - Quantity Per Pack 1  
Numerator - Packs per outer box 6  
Material Nr. (12NC) 929001198802  
Net Weight (Piece) 0.202 kg

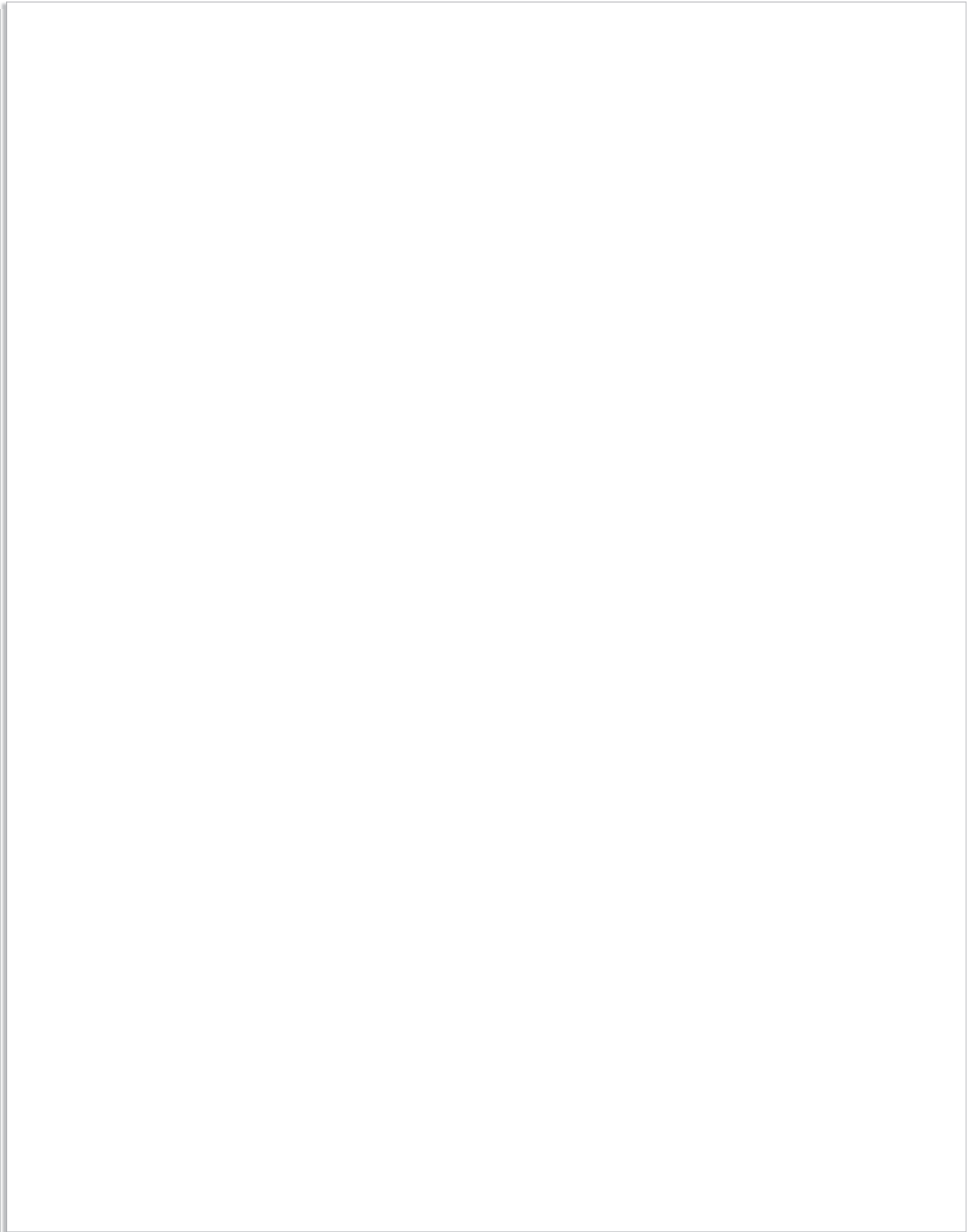
## Dimensional drawing



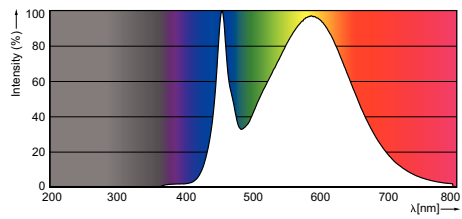
## PAR30S 9.5W-90W 750lm 25D 4000K E27 D

Product	D	C
MASLEDspot D 9.5-90W 840CW PAR30S 25D SO	92 mm	93 mm

Photometric data



# MASTER LEDspot PAR



© 2016 Philips Lighting Holding B.V.  
All rights reserved.

Specifications are subject to change without notice. Trademarks are the property of Koninklijke Philips N.V. (Royal Philips) or their respective owners.

[www.philips.com/lighting](http://www.philips.com/lighting)

2016, May 24  
data subject to change