



# GIOVENZANA

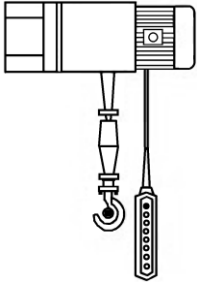


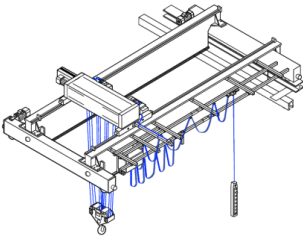



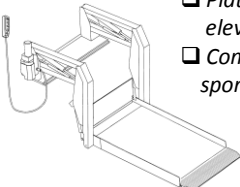



INTERNATIONAL B.V.



**SOLLEVAMENTO**

**Pulsantiere pensili per piccolo sollevamento, in singola / doppia fila o comando diretto e comando sponde o piattaforme elevabili. pag. 12 a 25**

Giovenzana International, leader nel settore della movimentazione, produce un'ampia gamma di pulsantiere pensili in grado di soddisfare le più svariate esigenze di sollevamento. I prodotti rispondono alle esigenze di massima sicurezza e sono realizzati in conformità alle rispettive norme di prodotto: IEC 947-5-1, EN60947-5-1, uL508; e di impiego: IEC 204-1, EN60204-1, EN ISO 13850 e rispondono alle indicazioni della direttiva Cee 89/392. Tutti gli operatori sono colorati o provvisti di simbologia di funzione laserata in conformità alle norme EN 60204-1 e FEM 9.941. OMOLOGAZIONI: Le pulsantiere serie P02, P03, PL e PLB sono omologate cUL.

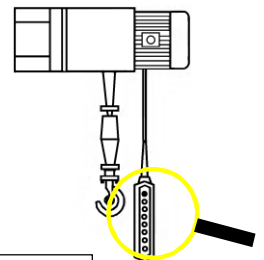
Uso (raccomandato)	Linea	Immagine	Caratteristiche
<input type="checkbox"/> Paranco 	<b>P02</b>		Pulsantiera a due fori per piccolo sollevamento: <ul style="list-style-type: none"> <li>• per motori a singola o doppia velocità</li> <li>• comando diretto 1kW – 1velocità</li> <li>• disponibile con requisiti UL/CSA</li> </ul>
	pag. 12	(articolo disponibile in kit: custodia, contatti ed operatori disponibili separatamente per personalizzazione)	
	<b>P03</b>		Pulsantiera a tre fori per piccolo sollevamento: <ul style="list-style-type: none"> <li>• per motori a singola o doppia velocità</li> <li>• comando diretto 1kW – 1velocità</li> <li>• disponibile con requisiti UL/CSA</li> </ul>
pag. 12	(articolo disponibile in kit: custodia, contatti ed operatori disponibili separatamente per personalizzazione)		
<input type="checkbox"/> Carroponte 	<b>HP03</b>	 <p>Ergonomica!</p>	Pulsantiera ergonomica per piccolo sollevamento: <ul style="list-style-type: none"> <li>• per motori a singola o doppia velocità</li> <li>• disponibile con requisiti UL/CSA</li> <li>•  versione con contatto di sicurezza disponibile pag. 25</li> </ul>
	pag. 12	(articolo disponibile in kit: custodia, contatti ed operatori disponibili separatamente per personalizzazione)	
	<b>DC30</b>	 <p>Comando diretto!</p>	Pulsantiera pensile per comando diretto: <ul style="list-style-type: none"> <li>• comando diretto monofase e trifase</li> <li>• Ith 25A – 1fase/2polo 230...400V 2.2kW</li> <li>• 3fase/3poli 230...400V 4kW</li> </ul>
pag. 12			
<input type="checkbox"/> Piattaforme elevabili <input type="checkbox"/> Comando sponde 	<b>PL</b>		Pulsantiera pensile a fila SINGOLA per comando carroponte: <ul style="list-style-type: none"> <li>• per motore a singola o doppia velocità</li> <li>• disponibile in diverse configurazioni con 5-7-8-10-12 fori</li> <li>• disponibile con requisiti UL/CSA</li> </ul>
	pag. 14	(articolo disponibile in kit: custodia, contatti ed operatori disponibili separatamente per personalizzazione)	
	<b>PLB</b>		Pulsantiera pensile a fila DOPPIA per comando carroponte: <ul style="list-style-type: none"> <li>• per motori a singola o doppia velocità</li> <li>• disponibile in diverse configurazioni con 4-6-8-10-12-14 fori</li> </ul>
pag. 15	(articolo disponibile in kit: custodia, contatti ed operatori disponibili separatamente per personalizzazione)		
<b>TLP</b>	 <p>Compatta!</p>	Pulsantiera compatta per comando sponde o piattaforme elevabili (pensile o fissa)	
pag. 16	(articolo disponibile in kit: custodia, contatti ed operatori disponibili separatamente per personalizzazione)		



**PULSANTIERE PENSILI**

## Caratteristiche:

- Bi-direzionalità interbloccata
- Doppio isolamento IP65 IEC/EN60529
- Dati generali ed elettrici pag. 23
- Simboli a marchiatura laser conforme a EN60204-1, FEM 9.941
- Resistente agli urti ed al calore



**P02**



**P03**



**HP03**



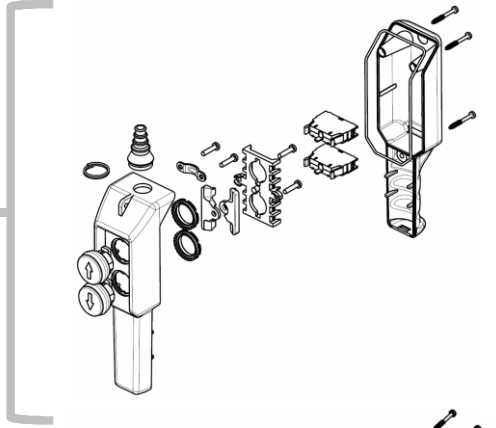
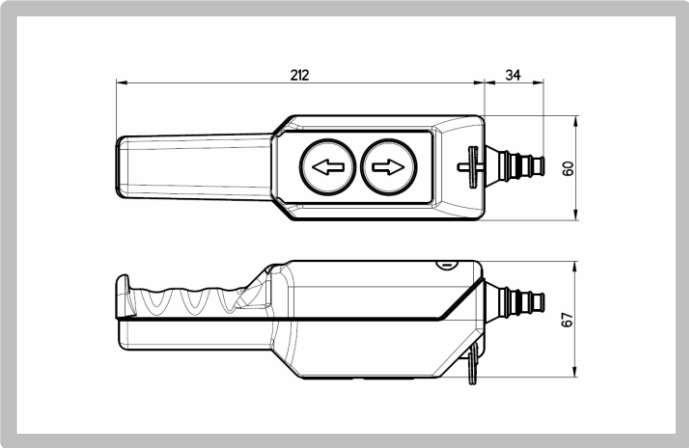
**DC30**

IMMAGINE	LAYOUT	CONFIGURAZIONE	CODICE	TIPO DI CONTATTO	PESO [gr]
		velocità SINGOLA (* PULSANTE BASCULANTE INSTABILE 16A – 250Vac ½ HP)	<b>P02.RM</b>		230
		velocità SINGOLA  (* PER COMANDO DIRETTO MOTORI 1Kw 1fase)	<b>P02.1</b>		230
			<b>P02.2</b>		250
			<b>P02.4</b>		250
			<b>P02.CD</b>		230
		velocità DOPPIA	<b>P02.D2</b>		250
		velocità SINGOLA  (* PER COMANDO DIRETTO MOTORI 1Kw 1fase)	<b>P03.1</b>		440
			<b>P03.2</b>		450
			<b>P03.3</b>		460
			<b>P03.CD</b>		460
			velocità DOPPIA	<b>P03.D2</b>	
		velocità SINGOLA	<b>HP03</b>		330
		velocità DOPPIA	<b>HP03.D2</b>		350
		velocità SINGOLA  (* Ith 25A PER COMANDO DIRETTO MOTORI: 2.2kW 1ph / 4kW 3fasi)	<b>DC30</b>		600
			<b>DC30.RG</b>		600
		velocità DOPPIA (* Ith 25A PER COMANDO DIRETTO MOTORI: 2.2kW 1fase / 4kW 3fasi)	<b>DC30.GE</b>		600
			<b>DC30.D2</b>		650

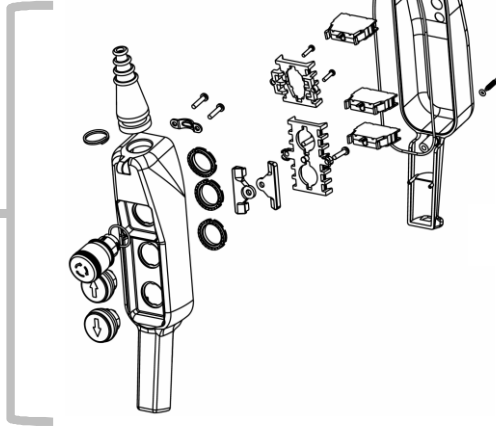
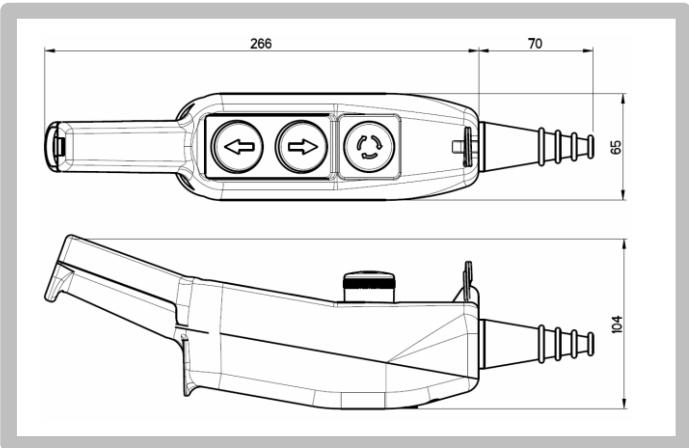


**PULSANTIERE PENSILI**

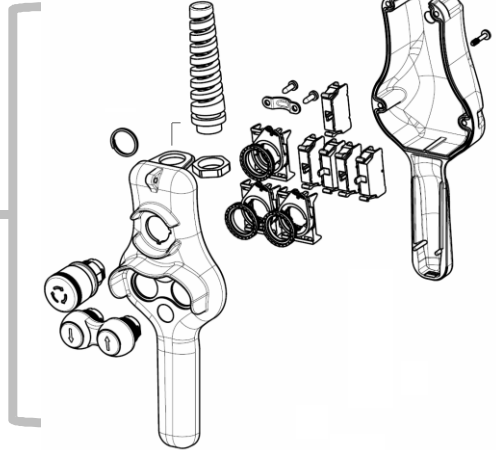
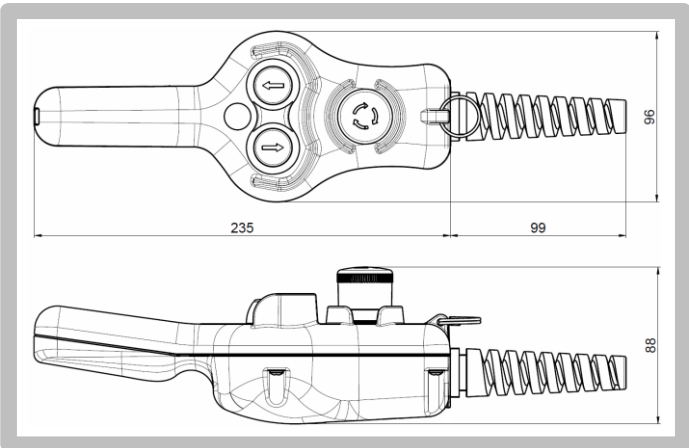
**P02**



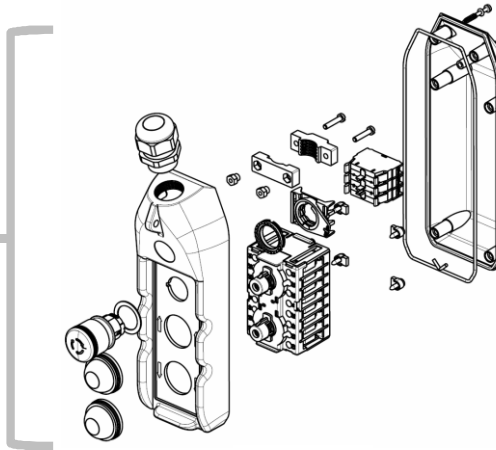
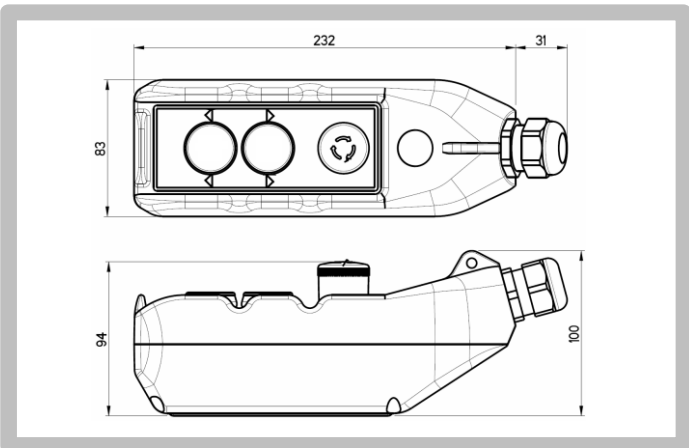
**P03**



**HP03**



**DC30**







**PULSANTIERE PENSILI**

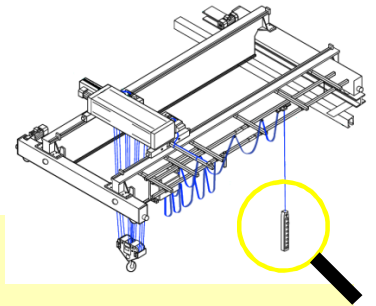


KIT disponibile vedi pag. 18

disponibile con requisiti UL/CSA

### Caratteristiche:

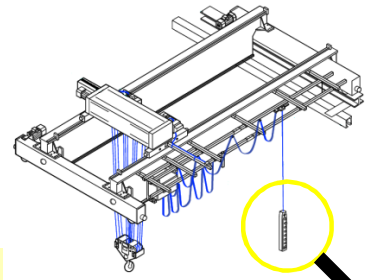
- Bi-direzionalità interbloccata
- Doppio isolamento IP 65 IEC/EN60529
- Dati generali ed elettrici pag. 23
- Simboli a marchiatura laser conforme a EN60204-1, FEM 9.941
- Resistente agli urti ed al calore
- Disponibile con requisiti UL/CSA



CODICE	PL05	PL05D2	PL05D4	PL07	PL07D2	PL07D4	PL07D6	PL08	PL08D2	PL08D4	PL08D6	PL10	PL12																																																																																																																																																																																																																																																																																																																																																																																																																																																																																																																																																																																																																																																																																																																																																																																																																															
peso [gr.]	600	625	655	800	830	855	880	890	915	945	970	1.105	1.290																																																																																																																																																																																																																																																																																																																																																																																																																																																																																																																																																																																																																																																																																																																																																																																																																															
N° pulsanti	5	5	5	7	7	7	7	8	8	8	8	10	12																																																																																																																																																																																																																																																																																																																																																																																																																																																																																																																																																																																																																																																																																																																																																																																																																															
L. lungh. [mm]	345	345	345	495	495	495	495	530	530	530	530	640	710																																																																																																																																																																																																																																																																																																																																																																																																																																																																																																																																																																																																																																																																																																																																																																																																																															
LAYOUT																																																																																																																																																																																																																																																																																																																																																																																																																																																																																																																																																																																																																																																																																																																																																																																																																																												
DIMENSIONI																																																																																																																																																																																																																																																																																																																																																																																																																																																																																																																																																																																																																																																																																																																																																																																																																																												
<p style="text-align: center;">TIPO DI PULSANTE – TIPO DI CONTATTO ABBINATO</p> <table border="1" style="width: 100%; text-align: center;"> <tr> <td></td> <td></td> <td></td> <td></td> <td></td> <td></td> <td></td> <td></td> </tr> <tr> <td></td> <td></td> <td></td> <td></td> <td></td> <td></td> <td></td> <td></td> </tr> <tr> <td></td> <td></td> <td></td> <td></td> <td></td> <td></td> <td></td> <td></td> </tr> <tr> <td></td> <td></td> <td></td> <td></td> <td></td> <td></td> <td></td> <td></td> </tr> <tr> <td></td> <td></td> <td></td> <td></td> <td></td> <td></td> <td></td> <td></td> </tr> <tr> <td></td> <td></td> <td></td> <td></td> <td></td> <td></td> <td></td> <td></td> </tr> <tr> <td></td> <td></td> <td></td> <td></td> <td></td> <td></td> <td></td> <td></td> </tr> <tr> <td></td> <td></td> <td></td> <td></td> <td></td> <td></td> <td></td> <td></td> </tr> <tr> <td></td> <td></td> <td></td> <td></td> <td></td> <td></td> <td></td> <td></td> </tr> <tr> <td></td> <td></td> <td></td> <td></td> <td></td> <td></td> <td></td> <td></td> </tr> <tr> <td></td> <td></td> <td></td> <td></td> <td></td> <td></td> <td></td> <td></td> </tr> <tr> <td></td> <td></td> <td></td> <td></td> <td></td> <td></td> <td></td> <td></td> </tr> <tr> <td></td> <td></td> <td></td> <td></td> <td></td> <td></td> <td></td> <td></td> </tr> <tr> <td></td> <td></td> <td></td> <td></td> <td></td> <td></td> <td></td> <td></td> </tr> <tr> <td></td> <td></td> <td></td> <td></td> <td></td> <td></td> <td></td> <td></td> </tr> <tr> <td></td> <td></td> <td></td> <td></td> <td></td> <td></td> <td></td> <td></td> </tr> <tr> <td></td> <td></td> <td></td> <td></td> <td></td> <td></td> <td></td> <td></td> </tr> <tr> <td></td> <td></td> <td></td> <td></td> <td></td> <td></td> <td></td> <td></td> </tr> <tr> <td></td> <td></td> <td></td> <td></td> <td></td> <td></td> <td></td> <td></td> </tr> <tr> <td></td> <td></td> <td></td> <td></td> <td></td> <td></td> <td></td> <td></td> </tr> <tr> <td></td> <td></td> <td></td> <td></td> <td></td> <td></td> <td></td> <td></td> </tr> <tr> <td></td> <td></td> <td></td> <td></td> <td></td> <td></td> <td></td> <td></td> </tr> <tr> <td></td> <td></td> <td></td> <td></td> <td></td> <td></td> <td></td> <td></td> </tr> <tr> <td></td> <td></td> <td></td> <td></td> <td></td> <td></td> <td></td> <td></td> </tr> <tr> <td></td> <td></td> <td></td> <td></td> <td></td> <td></td> <td></td> <td></td> </tr> <tr> <td></td> <td></td> <td></td> <td></td> <td></td> <td></td> <td></td> <td></td> </tr> <tr> <td></td> <td></td> <td></td> <td></td> <td></td> <td></td> <td></td> <td></td> </tr> <tr> <td></td> <td></td> <td></td> <td></td> <td></td> <td></td> <td></td> <td></td> </tr> <tr> <td></td> <td></td> <td></td> <td></td> <td></td> <td></td> <td></td> <td></td> </tr> <tr> <td></td> <td></td> <td></td> <td></td> <td></td> <td></td> <td></td> <td></td> </tr> <tr> <td></td> <td></td> <td></td> <td></td> <td></td> <td></td> <td></td> <td></td> </tr> <tr> <td></td> <td></td> <td></td> <td></td> <td></td> <td></td> <td></td> <td></td> </tr> <tr> <td></td> <td></td> <td></td> <td></td> <td></td> <td></td> <td></td> <td></td> </tr> <tr> <td></td> <td></td> <td></td> <td></td> <td></td> <td></td> <td></td> <td></td> </tr> <tr> <td></td> <td></td> <td></td> <td></td> <td></td> <td></td> <td></td> <td></td> </tr> <tr> <td></td> <td></td> <td></td> <td></td> <td></td> <td></td> <td></td> <td></td> </tr> <tr> <td></td> <td></td> <td></td> <td></td> <td></td> <td></td> <td></td> <td></td> </tr> <tr> <td></td> <td></td> <td></td> <td></td> <td></td> <td></td> <td></td> <td></td> </tr> <tr> <td></td> <td></td> <td></td> <td></td> <td></td> <td></td> <td></td> <td></td> </tr> <tr> <td></td> <td></td> <td></td> <td></td> <td></td> <td></td> <td></td> <td></td> </tr> <tr> <td></td> <td></td> <td></td> <td></td> <td></td> <td></td> <td></td> <td></td> </tr> <tr> <td></td> <td></td> <td></td> <td></td> <td></td> <td></td> <td></td> <td></td> </tr> <tr> <td></td> <td></td> <td></td> <td></td> <td></td> <td></td> <td></td> <td></td> </tr> <tr> <td></td> <td></td> <td></td> <td></td> <td></td> <td></td> <td></td> <td></td> </tr> <tr> <td></td> <td></td> <td></td> <td></td> <td></td> <td></td> <td></td> <td></td> </tr> <tr> <td></td> <td></td> <td></td> <td></td> <td></td> <td></td> <td></td> <td></td> </tr> <tr> <td></td> <td></td> <td></td> <td></td> <td></td> <td></td> <td></td> <td></td> </tr> <tr> <td></td> <td></td> <td></td> <td></td> <td></td> <td></td> <td></td> <td></td> </tr> <tr> <td></td> <td></td> <td></td> <td></td> <td></td> <td></td> <td></td> <td></td> </tr> <tr> <td></td> <td></td> <td></td> <td></td> <td></td> <td></td> <td></td> <td></td> </tr> <tr> <td></td> <td></td> <td></td> <td></td> <td></td> <td></td> <td></td> <td></td> </tr> <tr> <td></td> <td></td> <td></td> <td></td> <td></td> <td></td> <td></td> <td></td> </tr> <tr> <td></td> <td></td> <td></td> <td></td> <td></td> <td></td> <td></td> <td></td> </tr> <tr> <td></td> <td></td> <td></td> <td></td> <td></td> <td></td> <td></td> <td></td> </tr> <tr> <td></td> <td></td> <td></td> <td></td> <td></td> <td></td> <td></td> <td></td> </tr> <tr> <td></td> <td></td> <td></td> <td></td> <td></td> <td></td> <td></td> <td></td> </tr> <tr> <td></td> <td></td> <td></td> <td></td> <td></td> <td></td> <td></td> <td></td> </tr> <tr> <td></td> <td></td> <td></td> <td></td> <td></td> <td></td> <td></td> <td></td> </tr> <tr> <td></td> <td></td> <td></td> <td></td> <td></td> <td></td> <td></td> <td></td> </tr> <tr> <td></td> <td></td> <td></td> <td></td> <td></td> <td></td> <td></td> <td></td> </tr> <tr> <td></td> <td></td> <td></td> <td></td> <td></td> <td></td> <td></td> <td></td> </tr> <tr> <td></td> <td></td> <td></td> <td></td> <td></td> <td></td> <td></td> <td></td> </tr> <tr> <td></td> <td></td> <td></td> <td></td> <td></td> <td></td> <td></td> <td></td> </tr> <tr> <td></td> <td></td> <td></td> <td></td> <td></td> <td></td> <td></td> <td></td> </tr> <tr> <td></td> <td></td> <td></td> <td></td> <td></td> <td></td> <td></td> <td></td> </tr> <tr> <td></td> <td></td> <td></td> <td></td> <td></td> <td></td> <td></td> <td></td> </tr> <tr> <td></td> <td></td> <td></td> <td></td> <td></td> <td></td> <td></td> <td></td> </tr> <tr> <td></td> <td></td> <td></td> <td></td> <td></td> <td></td> <td></td> <td></td> </tr> <tr> <td></td> <td></td> <td></td> <td></td> <td></td> <td></td> <td></td> <td></td> </tr> <tr> <td></td> <td></td> <td></td> <td></td> <td></td> <td></td> <td></td> <td></td> </tr> <tr> <td></td> <td></td> <td></td> <td></td> <td></td> <td></td> <td></td> <td></td> </tr> <tr> <td></td> <td></td> <td></td> <td></td> <td></td> <td></td> <td></td> <td></td> </tr> <tr> <td></td> <td></td> <td></td> <td></td> <td></td> <td></td> <td></td> <td></td> </tr> <tr> <td></td> <td></td> <td></td> <td></td> <td></td> <td></td> <td></td> <td></td> </tr> <tr> <td></td> <td></td> <td></td> <td></td> <td></td> <td></td> <td></td> <td></td> </tr> <tr> <td></td> <td></td> <td></td> <td></td> <td></td> <td></td> <td></td> <td></td> </tr> <tr> <td></td> <td></td> <td></td> <td></td> <td></td> <td></td> <td></td> <td></td> </tr> <tr> <td></td> <td></td> <td></td> <td></td> <td></td> <td></td> <td></td> <td></td> </tr> <tr> <td></td> <td></td> <td></td> <td></td> <td></td> <td></td> <td></td> <td></td> </tr> <tr> <td></td> <td></td> <td></td> <td></td> <td></td> <td></td> <td></td> <td></td> </tr> <tr> <td></td> <td></td> <td></td> <td></td> <td></td> <td></td> <td></td> <td></td> </tr> <tr> <td></td> <td></td> <td></td> <td></td> <td></td> <td></td> <td></td> <td></td> </tr> <tr> <td></td> <td></td> <td></td> <td></td> <td></td> <td></td> <td></td> <td></td> </tr> <tr> <td></td> <td></td> <td></td> <td></td> <td></td> <td></td> <td></td> <td></td> </tr> <tr> <td></td> <td></td> <td></td> <td></td> <td></td> <td></td> <td></td> <td></td> </tr> <tr> <td></td> <td></td> <td></td> <td></td> <td></td> <td></td> <td></td> <td></td> </tr> <tr> <td></td> <td></td> <td></td> <td></td> <td></td> <td></td> <td></td> <td></td> </tr> <tr> <td></td> <td></td> <td></td> <td></td> <td></td> <td></td> <td></td> <td></td> </tr> <tr> <td></td> <td></td> <td></td> <td></td> <td></td> <td></td> <td></td> <td></td> </tr> <tr> <td></td> <td></td> <td></td> <td></td> <td></td> <td></td> <td></td> <td></td> </tr> <tr> <td></td> <td></td> <td></td> <td></td> <td></td> <td></td> <td></td> <td></td> </tr> <tr> <td></td> <td></td> <td></td> <td></td> <td></td> <td></td> <td></td> <td></td> </tr> <tr> <td></td> <td></td> <td></td> <td></td> <td></td> <td></td> <td></td> <td></td> </tr> <tr> <td></td> <td></td> <td></td> <td></td> <td></td> <td></td> <td></td> <td></td> </tr> <tr> <td></td> <td></td> <td></td> <td></td> <td></td> <td></td> <td></td> <td></td> </tr> <tr> <td></td> <td></td> <td></td> <td></td> <td></td> <td></td> <td></td> <td></td> </tr> <tr> <td></td> <td></td> <td></td> <td></td> <td></td> <td></td> <td></td> <td></td> </tr> <tr> <td></td> <td></td> <td></td> <td></td> <td></td> <td></td> <td></td> <td></td> </tr> <tr> <td></td> <td></td> <td></td> <td></td> <td></td> <td></td> <td></td> <td></td> </tr> <tr> <td></td> <td></td> <td></td> <td></td> <td></td> <td></td> <td>&lt;/</td></tr></table>																																																																																																																																																																																																																																																																																																																																																																																																																																																																																																																																																																																																																																																																																																																																																																																																																																												</
						</																																																																																																																																																																																																																																																																																																																																																																																																																																																																																																																																																																																																																																																																																																																																																																																																																																						



KIT Available See pg. 18

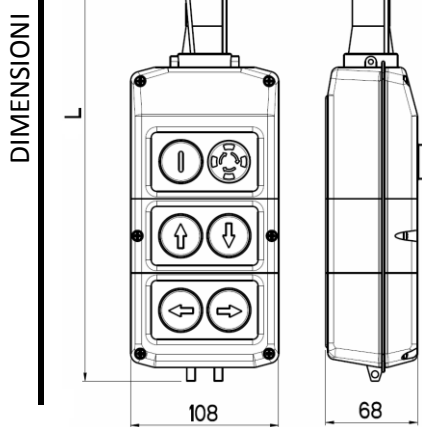
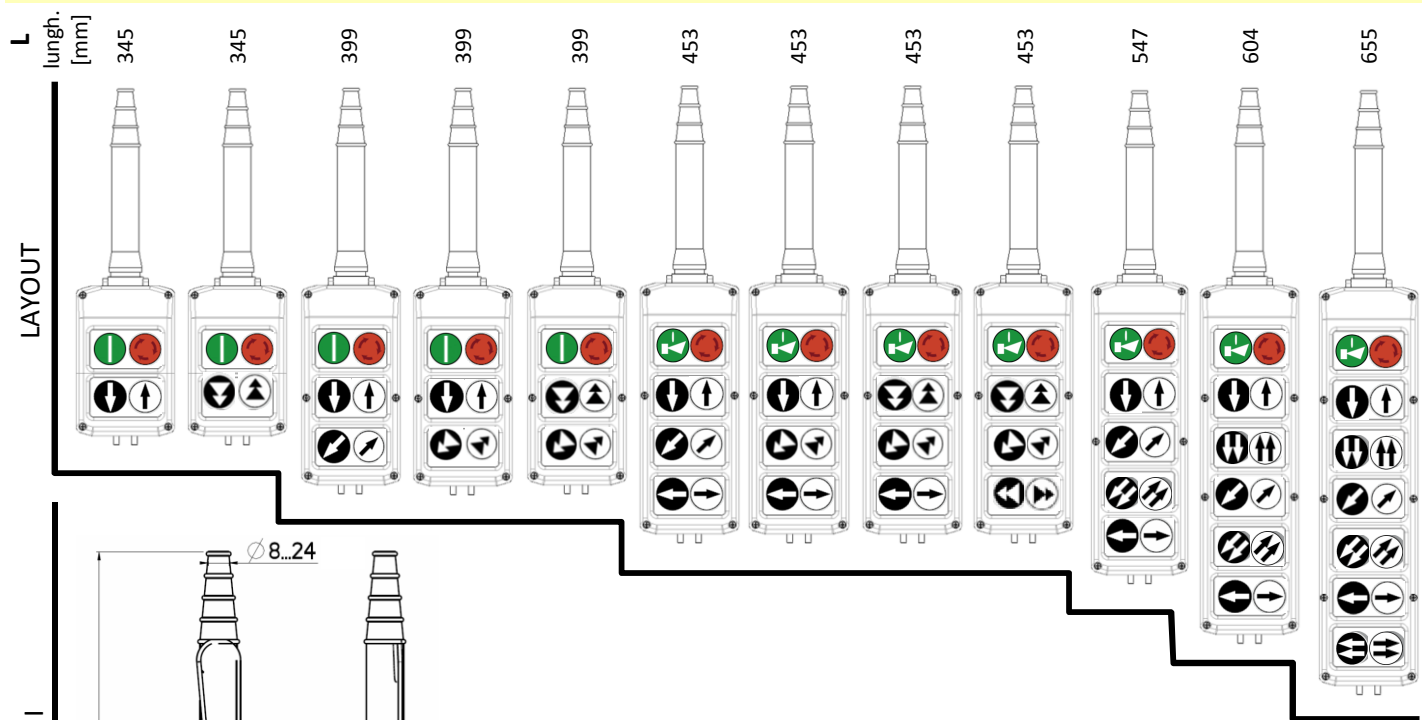


PULSANTIERE PENSILI

### Caratteristiche:

- Bi-direzionalità interbloccata
- Doppio isolamento IP 65 IEC/EN60529
- Dati generali ed elettrici pag. 23
- Simboli a marchiatura laser conforme a EN60204-1, FEM 9.941
- Resistente agli urti ed al calore

CODICE	PLB04	PLB04D2	PLB06	PLB06D2	PLB06D4	PLB08	PLB08D2	PLB08D4	PLB08D6	PLB10	PLB12	PLB14
peso [gr.]	530	555	700	730	755	860	895	920	945	1.080	1.245	1.445
N° pulsanti	4	4	6	6	6	8	8	8	8	10	12	14



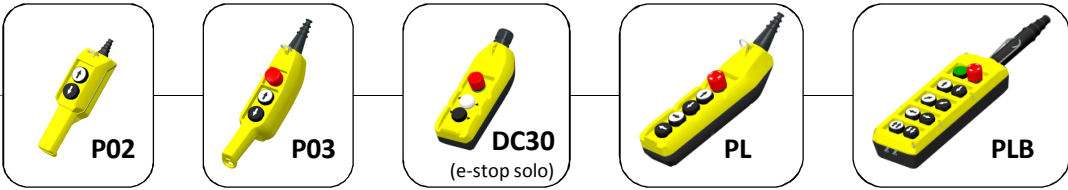
TIPO DI PULSANTE – TIPO DI CONTATTO ABBINATO								





**PULSANTIERE PENSILI**

**linea PL0040**



**NC**

**PL004001**

Morsetto a vite M3.5 con "teglino" mobile che permette il collegamento di diverse sezioni cavo

**NO**

**PL004002**

**Pastiglia contatto semplice**

**Dimensioni**

**Marchi**

Dati tecnici vedi pag. 23

**linea PCW**



**NC**

**PCW01**

Connessione a molla con due piatti separati che permette il collegamento di diverse sezioni cavo

**NO**

**PCW10**

**Tripla pastiglia contatto**  
conduzione elettrica sicura e durevole

**Dimensioni**

**Marchi**

**Connessione a molla:**

- 1) Inserire il cacciavite
- 2) Ruotare 1/4 il cacciavite
- 3) Inserire il cavo
- 4) Rimuovere il cacciavite





**PULSANTIERE PENSILI**

**STEP 1**  
Scegli  
la custodia



**P02**



**P03**



**PL**



**PLB**



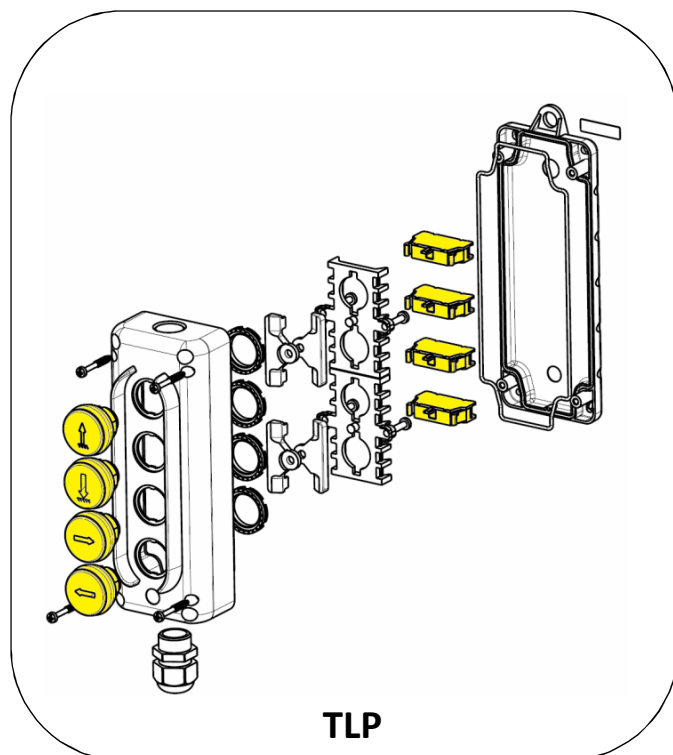
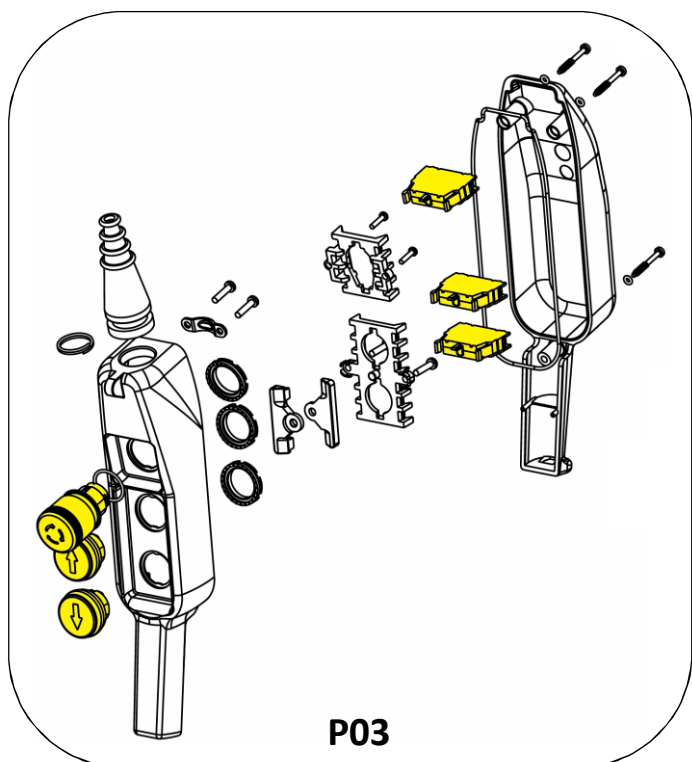
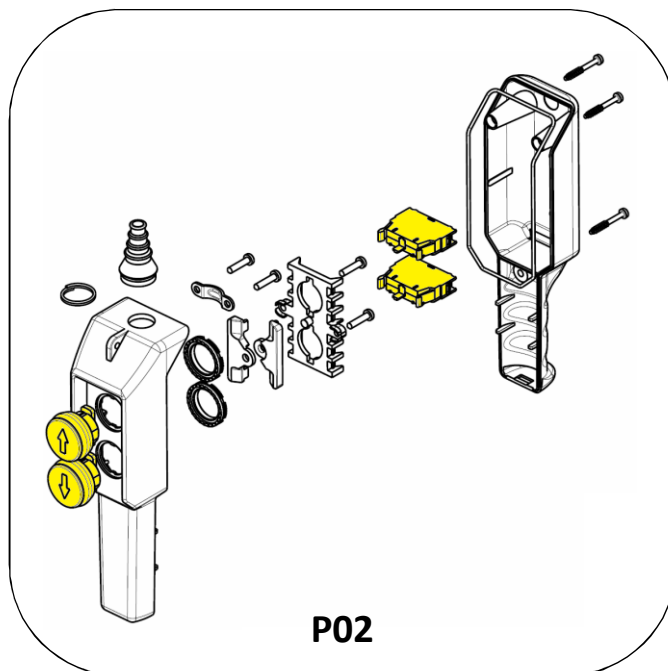
**TLP**



N° fori	<b>CODICE</b>	PESO [gr]
2	<b>P02K</b>	180
3	<b>P03K</b>	258
5	<b>PL05K</b>	410
7	<b>PL07K</b>	540
8	<b>PL08K</b>	600
10	<b>PL10K</b>	700
12	<b>PL12K</b>	800
4	<b>PLB04K</b>	410
6	<b>PLB06K</b>	510
8	<b>PLB08K</b>	610
10	<b>PLB10K</b>	710
12	<b>PLB12K</b>	810
14	<b>PLB14K</b>	910
1	<b>TLP1K</b>	100
2	<b>TLP2K</b>	130
3	<b>TLP3K</b>	160
4	<b>TLP4K</b>	200

## STEP 4

Istruzioni di montaggio



### STEP 1

Le Pulsantiera vuote in kit comprendono:

- Pulsantiera (corpo, fondo, viti, guarnizione)
- Passacavo
- Serracavo
- Anello di sospensione
- Supporti e leverismi

### STEP 2-3

Sono esclusi:

- Elementi di contatto
- Operatori

Questi componenti devono essere ordinati separatamente.



## STEP 2

Scegli l'operatore

## STEP 3

Scegli i contatti

Simboli tasti conformi a norme FEM 9.941  
a richiesta simboli e scritte personalizzate  
(richiesta quantità minima)

P02-P03-PL-PLB

TLP

PULSANTIERE PENSILI

**Tasti senza scritte:**

PL005019	PL005004	PL005020	PL005005	PL005031	PL005016
PL005027	PL005012	PL005028	PL005013	PL005032	PL005017
PL005023	PL005008	PL005024	PL005009	PL005033	PL005018

**Tasti con scritte: per semplificazione le scritte sono figurate fuori dai pulsanti**

SALITA	SALITA	SALITA	DESTRA	INDIETRO	DESTRA
SOLLEVAMENTO	SOLLEV. VEL.	SOLLEV. 1-2 VEL.	ROTAZIONE	CARRELO	CARRELO
PL005040	PL005041	PL005042	PL005043	PL005044	PL005045
TRASLAZ.	PONTE	CARR. VEL.	CARR. VEL.	PONTE VEL.	PONTE 1-2 VEL.
PL005046	PL005047	PL005048	PL005049	PL005050	PL005051
DESTRA	INDIETRO	DISCESA	DISCESA	DISCESA	SINISTRA
CARR. 1-2 VEL.	CARR. 1-2 VEL.	SOLLEVAMENTO	SOLLEV. VEL.	SOLLEV. 1-2 VEL.	ROTAZIONE
PL005052	PL005053	PL005054	PL005055	PL005056	PL005057
SINISTRA	AVANTI	INDIETRO	INDIETRO	AVANTI	SINISTRA
CARRELO	CARRELO	TRASLAZ.	PONTE	CARR. VEL.	CARR. VEL.
PL005058	PL005059	PL005060	PL005061	PL005062	PL005063
INDIETRO	INDIETRO	SINISTRA	AVANTI	CHIUDE	APRE
PONTE VEL.	PONTE 1-2 VEL.	CARR. 1-2 VEL.	CARR. 1-2 VEL.	CARRELO	CARRELO
PL005064	PL005065	PL005066	PL005067	PL005068	PL005069

**EMERGENZA FUNGO Ø 40 MOMENTANEO**

PL013003	CON VISIONE NORMALE PL013001 PL013002	PPFN1C4NX

**SELETTORE A MANOPOLA**

0-1 90° PL007001 1-0-2 45° PL007002 1>0-2 45° PL007003	0-1 90° PL006001 1-0-2 45° PL006002 0<1 45° PL006004 chiave estraibile in ("0")

**MARCIA VERDE** PL005001 **MARCIA ALLARME** PL005002

**ALLARME** PL005003 **BLU** PL005034

**BIANCO** PL005035 **NERO** PL005036

**BIANCO** PL005037 **NERO** PL005038

**GEMMA**

PL00800. ■ 1 ■ 2 ■ 3 ■ 4  5

**NON per TLP**

**TAPPO**

PL015001

**ELEMENTI DI CONTATTO**

NC NO

NC NO

PL004001  
PL004002

**ELEMENTI DI CONTATTO**

NC NO

NC NO

PCW01  
PCW10

**LAMPADA LED**

**ALIMENTAZIONE** **CODICE**

AC/DC 12 V	PL0045L12
AC/DC 24 V	PL0045L24
AC/DC 48 V	PL0045L48
AC/DC 110 V	PL0045L110
AC 220 V	PL0045L220

**ELEMENTO PORTALAMPADA**

BA9s PL004007

**LAMPADA LED**

**ALIMENTAZIONE** **CODICE**

AC/DC 12 V	PCW5L12
AC/DC 24 V	PCW5L24
AC/DC 48 V	PCW5L48
AC/DC 110 V	PCW5L110
AC 220 V	PCW5L220

**ELEMENTO PORTALAMPADA**

BA9s PCWAD

**ELEMENTO DI CONTATTO PER 2ª VELOCITA'**

SCALATO 1 NO + 1 NO

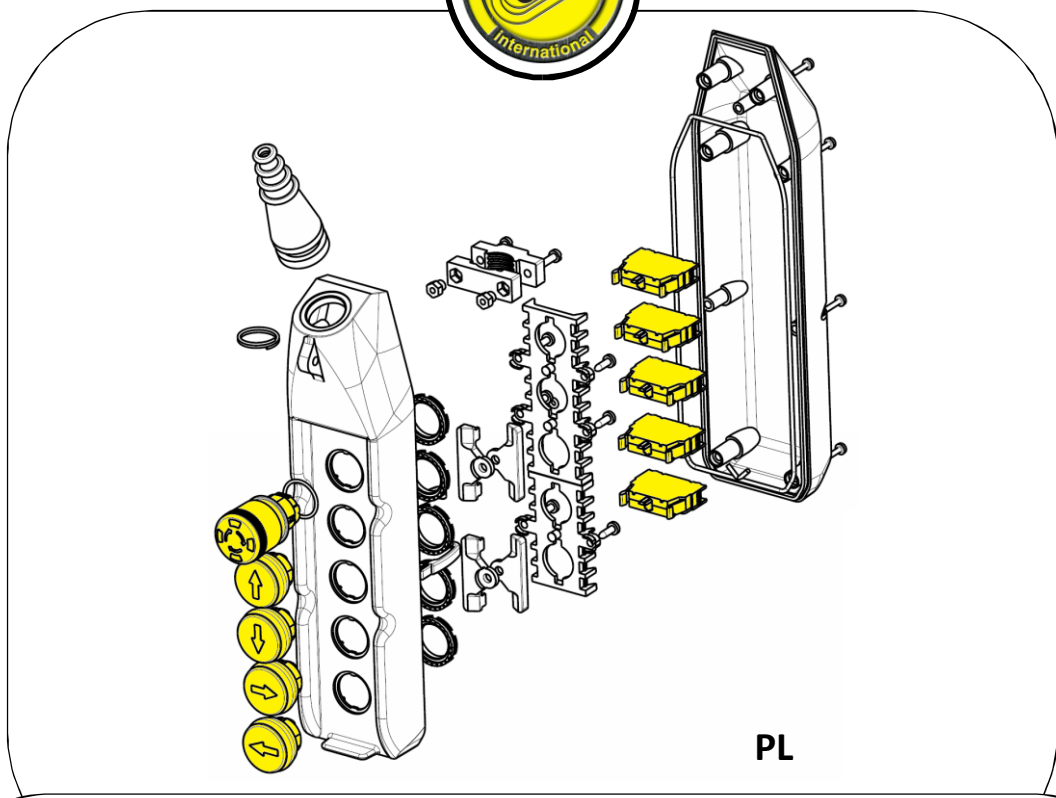
PL004010

**NON per TLP**

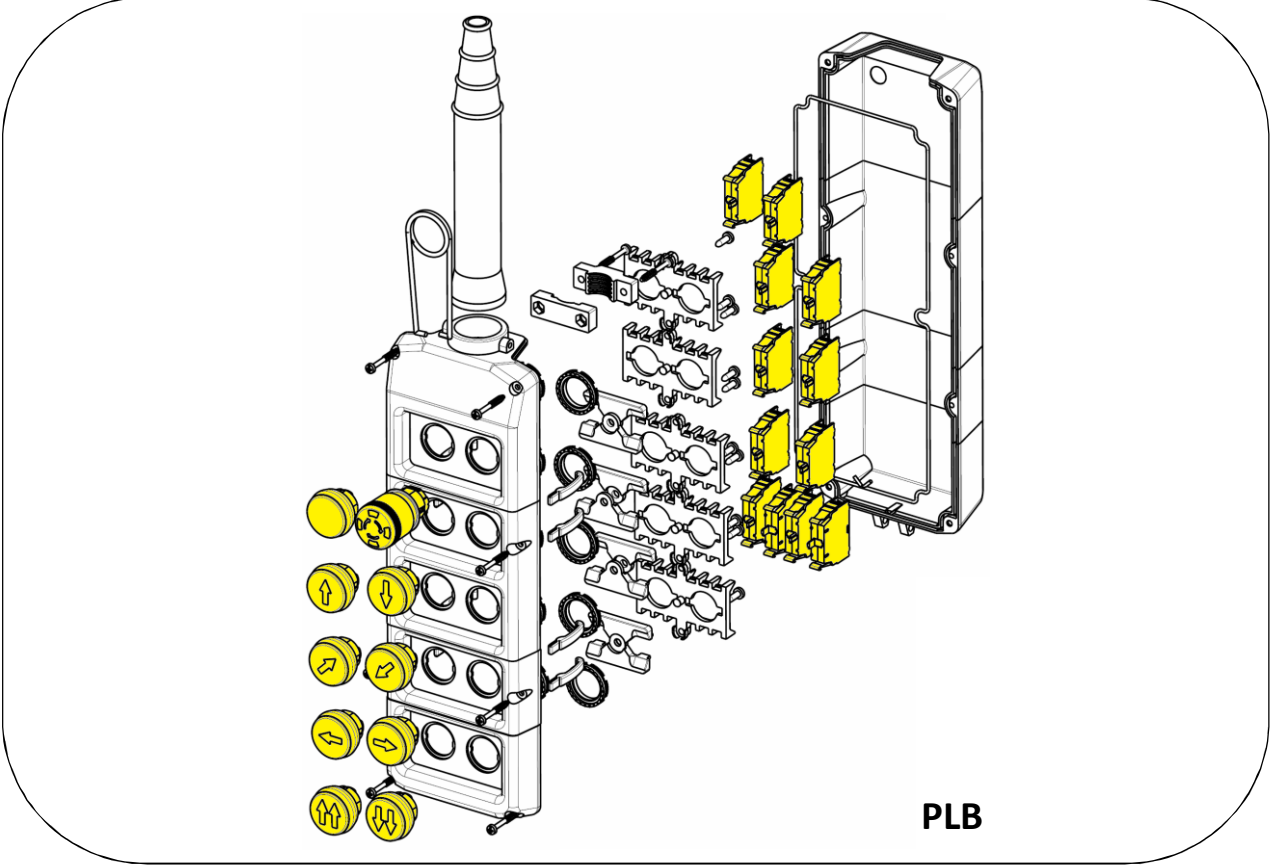
PL005021	PL005006
PL005029	PL005014
PL005025	PL005010



**PULSANTIERE PENSILI**



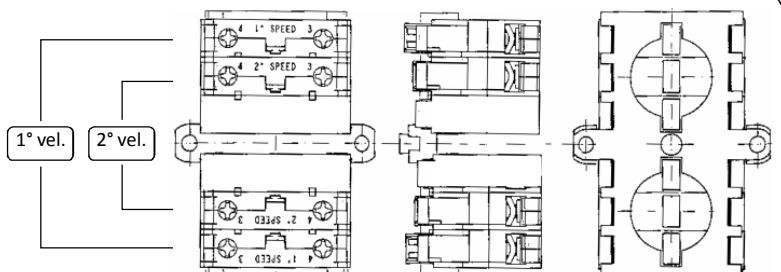
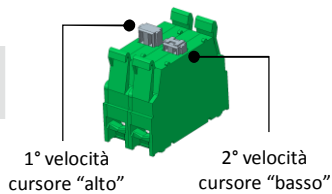
**PL**



**PLB**

**ISTRUZIONI DI MONTAGGIO PER ELEMENTI DI CONTATTO  
1ª - 2ª VELOCITÀ SU Basetta di supporto**

PL004010







# RICAMBI:

P02 – P03 – PL – PLB – TLP

PULSANTIERE PENSILI

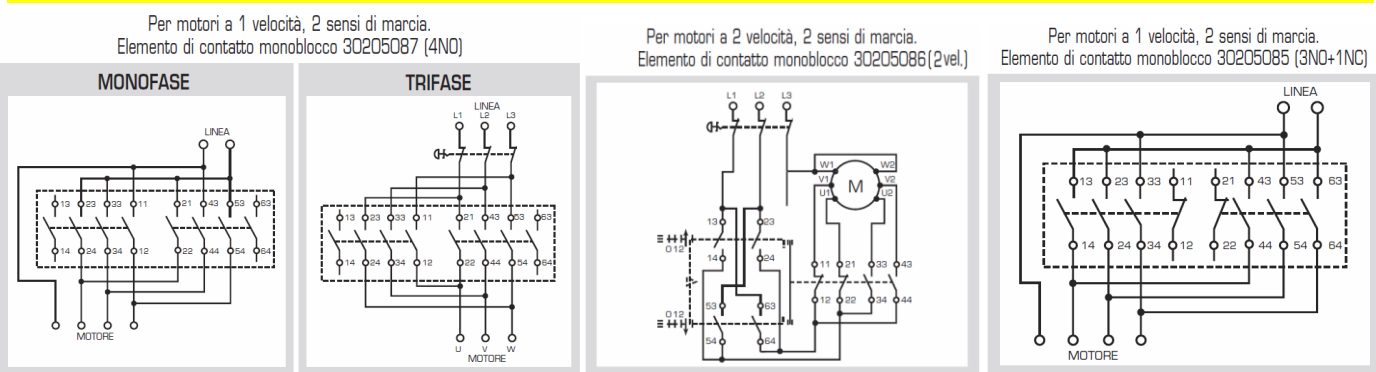
BASETTA PORTACONTATTI		INTERBLOCCO		ASTA FERMACAVI		PASSACAVO	
A 2 FORI	PL003001	SUPERIORE	PL011001	PL012001		PER ESECUZIONE	CODICE
A 3 FORI	PL003002	INFERIORE	PL011002	NON per TLP		P02 - PTRM Per cavo Ø 7...14	12906011
						P03 - PLO5 Per cavo Ø 7...18	12906006
						PL07...PL12 PLB04-PLB06 Per cavo Ø 9...21	12906004
						PLB08-PLB14 Per cavo Ø 12...24	12906005
				NON per TLP		NON per TLP	

☐ Codici operatori e contatti vedi pag. 19

## DC30

ELEMENTO DI CONTATTO MONOBLOCCO		PROTEZIONE TASTO IN GOMMA							
	PER MOTORI A 1 VELOCITA' - 2 SENSI DI MARCIA								
		CODICE		PER					
	3NO+1NC	30205085		DC30 DC30.GE					
	4NO	30205087		DC30.RG					
PER MOTORI A 2 VELOCITA' - 2 SENSI DI MARCIA									
	CODICE	PER							
4NO (2NO+2NC scalati)	30205086	DC30D2							
interbloccato meccanicamente		<table border="1"> <thead> <tr> <th>COLORE</th> <th>CODICE</th> </tr> </thead> <tbody> <tr> <td>Nero</td> <td>11901044</td> </tr> <tr> <td>Bianco</td> <td>11901046</td> </tr> </tbody> </table>		COLORE	CODICE	Nero	11901044	Bianco	11901046
COLORE	CODICE								
Nero	11901044								
Bianco	11901046								

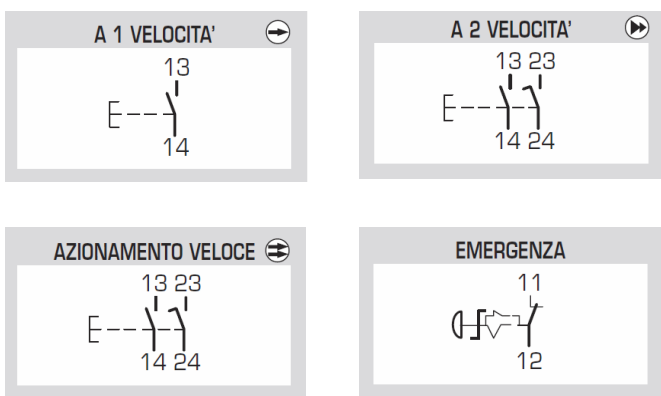
## ESEMPI SCHEMATICI CIRCUITI DI POTENZA



## ACCESSORI TLP

ASTUCCIO		PRESSACAPO SPIRALATO	
FORI	CODICE	CODICE	
1...3	16000061	12901054	
4	16000062		

## CIRCUITI AUSILIARI





Nota: linea P02 – P03 – HP03 – PL sono disponibili con requisiti UL/CSA

PULSANTIERE PENSILI

Caratteristiche generali		P02 – P03 – HP03 – PL – PLB – TLP						DC30
Conformità alle norme		IEC / EN60947-5-1						IEC / EN60947-3
Materiale		P02	P03	HP03	PL	PLB	TLP	ABS
		PP	ABS	ABS	ABS	ABS	PP	
Gruppo materiale		II						II
Classe di inquinamento		3						3
Temperatura ambiente	impiego	-25°C + 70°C						-25°C + 70°C
	stoccaggio	-30°C + 70°C						-30°C + 70°C
Resistenza al clima	IEC68 parte 2-3	caldo umido costante						caldo umido costante
	IEC68 parte 2-30	caldo umido ciclico						caldo umido ciclico
Ingresso cavi		<ul style="list-style-type: none"> <li>▪ P02 – P03: manicotto in gomma Ø7...18mm</li> <li>▪ PL – PLB: manicotto in gomma Ø9...24mm</li> <li>▪ HP03: pressacavo spiralato M20 – TLP: pressacavo M20</li> </ul>						pressacavo M25

Caratteristiche elettriche elementi di contatto		P02 – P03 – HP03 – PL – PLB – TLP						DC30
Marcature								
Tensione nominale di isolamento [Ui]		690V						500V
Corrente nominale termica [Ith]		16A						25A
Tensione nom. di tenuta a impulso [Uimp]		4kV						4kV
Frequenza		50Hz – 50/60 Hz tipo PCW (HP03-TLP)						50Hz

Corrente nominale di impiego [Ie]											
AC-15 corrente alternata		(V)	24	60	110	240	400	440	500	690	
	tipo: PL0040.. P02/P03/DC30 e-stop/PL/PLB	(A)	16	12	8	6	4	3.5	3	1	-
	tipo: PCW.. HP03-TLP	(A)	10	8	6	5	4	4	4	2	-
DC-13 corrente continua		(V)	24	48	60	110	220	250			
	tipo: PL0040.. P02/P03/DC30 e-stop/PL/PLB	(A)	2	1.2	0.85	0.4	0.25	-			-
	tipo: PCW.. HP03-TLP	(A)	2	2	1	0.4	-	0.4			-
AC-3 corrente alternata	1fase-2poli 230V-400V		-						2.2kW		
	3fase-3poli 230V-400V		-						3kW		
Corrente condizionale di cortocircuito		1000A						1000A			
Fusibili classe		gG 10A - 500V						aM 12A - 500V			
Resistenza di contatto		≤ 25mΩ						-			
Funzione contatti	tipo: PL0040.. P02/P03/DC30 e-stop/PL/PLB	apertura lenta a doppia interruzione pastiglia singola						apertura lenta a doppia interruzione pastiglia singola			
	tipo: PCW.. HP03-TLP	apertura lenta a doppia interruzione pastiglia tripla									
Positività		contatti NC ad apertura positiva						-			
Morsetti	tipo: PL0040.. P02/P03/DC30 e-stop/PL/PLB	vite M3.5						vite M3.5			
	tipo: PCW.. HP03-TLP	connessione a molla									
Sezione collegabile	tipo: PL0040.. P02/P03/DC30 e-stop/PL/PLB	N° 1 oppure 2 flessibile e rigido min 1 max 2.5 mm <sup>2</sup>						N° 1 oppure 2 flessibile e rigido min 1 max 2.5 mm <sup>2</sup>			
	tipo: PCW.. HP03-TLP	N° 1 oppure 2 flessibile e rigido min 0.5 max 2.5 mm <sup>2</sup>									

Caratteristiche UL508		
General use	600V ac	16A
Codice di designazione (HD) Heavy Duty		A600-Q600



**GIOVENZANA INTERNATIONAL B.V.**

1077 XX Amsterdam, The Netherlands  
WTC Strawinskylaan 1105  
Ph. +31(0) 20.4413576 - Fax +31(0) 20.4413456  
e-mail: giovenzana@giovenzana.com

**G.M.K. K.f.t.**

1068 Budapest, Hungary  
Rippl Ronai ut.13  
Ph. +36.37.572575 - Fax +36.37.572570  
e-mail: gmk@giovenzana.com

**G.T.R. LLC**

Moscow, Russian Federation  
Ulitsa Radio 24, Yauza Tower 4th floor  
Ph. +7.495.6991296 / 6503959 - Fax +7.495.6991520  
e-mail: gtr@giovenzana.com

**GIOVENZANA CONTROLS INDIA Pvt. Ltd.**

Mumbai  
Ph. +91.22.42640071  
e-mail: ggindia@giovenzana.com

**Branch**

**DUBAI** U.A.E. P.O. Box 262146 - J.A.F.Z.A. 15, Jebel Ali Free Zone  
Ph. +971.4.8870788 - Fax +971.4.8870787  
e-mail: uae@giovenzana.com

**[www.giovenzana.com](http://www.giovenzana.com)**