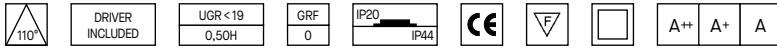
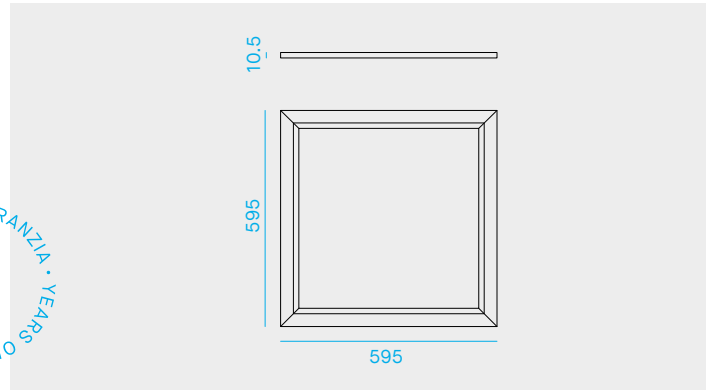




3 ANNI DI GARANZIA
3 YEARS OF WARRANTY

LPX66

Code	Nominal/lm	Real/lm	LED/W	System/W	CCT	CRI	Driver
LPX66/3K	4100	3326	36	37	3000K	>80	on-off
LPX66/4K	4300	3490	36	37	4000K	>80	on-off
LPX66/3K/90	3800	3082	36	37	3000K	>90	on-off
LPX66/4K/90	4000	3246	36	37	4000K	>90	on-off



Pannello LED per installazione a incasso, plafone e sospensione.

Round LED Panel for ceiling, wall-mounted, suspension and recessed installation with suitable accessory.

Panneau LED pour installation en plafonnier, à encastrer ou en suspension.

LED Panel rund für Decken-, Wand-, Pendel- oder Einbauinstallation mit Rahmen.

CRI80: LED HONGLI 2835
CRI90: LED HONGLI 4014

CRI80: 2835 HONGLI LED
CRI90: 4014 HONGLI LED

CRI80: LED HONGLI 2835
CRI90: LED HONGLI 4014

CRI80: 2835 HONGLI LED
CRI90: 4014 HONGLI LED

Life time 50.000h (rendimento 70%).

Life time 50.000h (70% lumen maintenance).

Durée de vie 50.000h (rendement 70%).

Lebensdauer 50.000h (Lichtstrom 70%).

Corpo in alluminio.

Body in aluminium.

Corps en aluminium.

Aluminium Körper.

Cornice in alluminio verniciato bianco goffrato.

Frame in white-embossed painted aluminium.

Cadre en aluminium peint blanc mat.

Körper aus weiss geprägt lackiertem Aluminium.

LPX CRI90: Apparecchio idoneo all'installazione in ambienti pubblici.

LPX CRI90: Luminaire suitable for the installation in public places.

LPX IRC90: Appareil approprié à l'installation dans zones publiques.

Gerät geeignet für die Installation in öffentlichen Umgebungen

Tecnologia LGP: ottica per garantire l'uniformità di emissione della luce

LGP technology: internal optics for a uniform light emission result.

Technologie LGP (Light Guide Plate): optique intérieure pour garantir l'uniformité d'émission de la lumière.

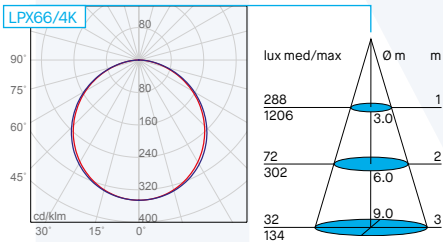
Technologie LGP: Definierte Lichtauskopplung für eine gleichmässige Lichtverteilung.

Alimentatore 220-240V 50/60Hz incluso.

220-240V 50/60Hz power supply included.

Alimentation 220-240V - 50/60Hz incluse.

Netzgerät 220-240V 50/60Hz enthalten.



Versioni prodotto disponibili su richiesta - Product versions available upon request - Versions du produit disponibles sur demande - Produktversion auf Anfrage erhältlich

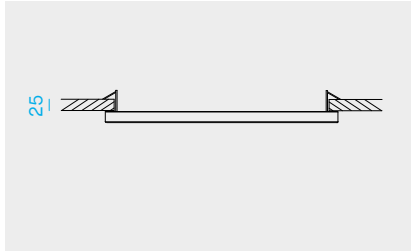
Code	Descrizione	Description	Description	Beschreibung
LPX66/_/1	LPX66/_/90/1 Con driver ON-OFF Made in Italy	With Made in Italy ON-OFF driver	Avec alimentation ON-OFF Made in Italy	Mit Driver ON-OFF Made in Italy
LPX66/_/2	LPX66/_/90/2 Con driver PUSH/DIM1-10V Made in Italy	With Made in Italy PUSH/DIM1-10V driver	Avec alimentation PUSH/DIM1-10V Made in Italy	Mit Driver PUSH/DIM1-10V Made in Italy
LPX66/_/3	LPX66/_/90/3 Con driver DALI Made in Italy	With Made in Italy DALI driver	Avec alimentation DALI Made in Italy	Mit Driver DALI Made in Italy
LPX66/_/7	LPX66/_/90/7 Con driver DIM1-10V	With DIM1-10V driver	Avec alimentation DIM1-10V	Mit Driver DIM1-10V

Accessori su richiesta - Accessories upon request - Accessoires disponibles sur demande - Zubehör auf Anfrage

Code	Descrizione	Description
5861	Interfaccia Bluetooth regolazione tramite APP o pulsante NA. Solo per versione /2	Bluetooth interface, control via App or NO button. Only for version /2
5864	Interfaccia Wi-Fi regolazione tramite gateway Zigbee (non fornito). Solo per versione /2	Wi-Fi interface through Zigbee gateway (not included). Only for version /2

Kit emergenza disponibile su richiesta - Emergency kit available upon request - Kit éclairage secours disponible sur demande - Notfall Kit auf Anfrage erhältlich

Code	Descrizione	Description	Description	Beschreibung
KIT EM/LED/1H	Kit emergenza per LED 1 ora - Batt.7.2V - 1.5Ah	Emergency kit for LED 1 hour - Batt.7.2V - 1.5Ah	Kit éclairage secours pour LED 1 heure - Batt.7.2V - 1.5Ah	Notfall Kit für LED 1 Stunde - Batt.7.2V - 1.5Ah
KIT EM/LED/3H	Kit emergenza per LED 3 ore - Batt.7.2V - 4Ah	Emergency kit for LED 3 hours - Batt.7.2V - 4Ah	Kit éclairage secours pour LED 3 heures - Batt.7.2V - 4Ah	Notfall Kit für LED 3 Stunden - Batt.7.2V - 4Ah



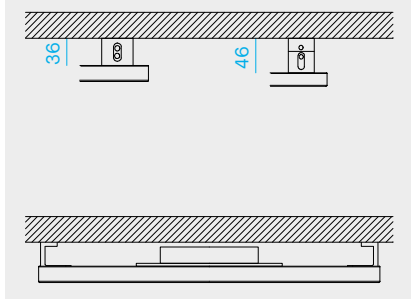
AX1/___ Caratteristiche - Features - Caractéristiques - Eigenschaften

Kit molle per versione a semi-incasso:
molle in acciaio da fissare sul pannello per installazione ad incasso su cartongesso continuo.

Kit with springs for recessed version:
steel springs for LED panel recessed installation in the continuous false ceiling.

Kit ressorts:
Ressorts en acier à fixer sur le panneau pour l'installation du panneau dans faux-plafond continu.

Kit Federn für Einbauversion:
Stahl Federn auf das Panel fixieren zum Einbau im kontinuierlichen Gipskarton.



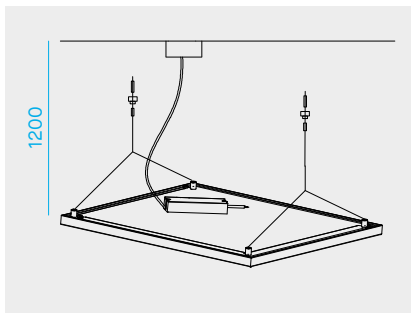
AX2 Caratteristiche - Features - Caractéristiques - Eigenschaften

Kit staffe per versione a plafone:
staffe regolabili per il fissaggio del pannello a plafone con alimentatore posizionato nella parte superiore del pannello (h.46mm) o in remoto (h.36mm).

Kit with brackets for ceiling version:
adjustable brackets to install the LED panel directly to the ceiling with the power supply placed above it (h.46mm) or in remote (h.36mm).

Kit pattes pour version en plafonnier: pattes réglables pour fixer le panneau au plafond avec alimentation placée sur la partie supérieure du panneau (h.46mm) ou alimentation éloignée (h.36mm).

Kit Halterungen für Deckenversion: Verstellbare Halterungen zur Befestigung des Panels an der Decke mit Netzgerät auf der oberen Fläche (h46mm) oder extern (h.36mm).



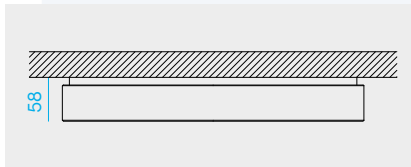
AX3 Caratteristiche - Features - Caractéristiques - Eigenschaften

Kit per versione a sospensione:
n.2 tiranti in acciaio da fissare direttamente al retro del pannello e al soffitto, massima estensione del tirante 1200mm. Completo di rosone di alimentazione bianco e cavo di 1,5m da fissare al soffitto.

Kit for suspended version:
n.2 steel support ropes to fix directly on the back of LED panel and to the ceiling, maximum extension of support ropes is 1200mm. Supply white rose and 1,5m cable for ceiling fixing included.

Kit pour version à suspendre:
2 câbles de suspension en acier à fixer directement sur le dos du panneau et au plafond, longueur maximum câble 1200mm. Suspension avec une rosace et un câble d'alimentation longueur 1,5m à fixer au plafond.

Kit für Pendelversion: 2 Stahlseil-Abhänger direkt an der Rückseite des Panel und an der Decke zu fixieren, maximale Länge 1200mm. Komplet mit Baldachin und weissem Stromkabel 1,5m direkt an der Decke zu fixieren.



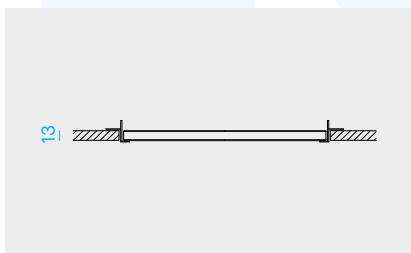
AX4/___ Caratteristiche - Features - Caractéristiques - Eigenschaften

Carter: struttura in alluminio verniciato bianco goffrato per installazione a plafone.

Carter: white-embossed painted aluminium structure for ceiling installation.

Carter: structure en aluminium peint blanc pour installation au plafond.

Carter: Struktur aus weiss geprägt lackiertem Aluminium für Deckenmontage.



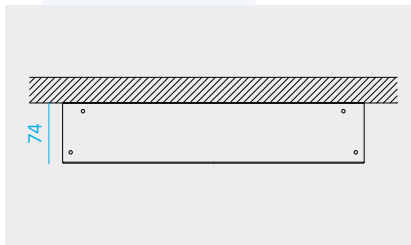
AX5/___ Caratteristiche - Features - Caractéristiques - Eigenschaften

Telaio per cartongesso:
telaio in alluminio da fissare direttamente su cartongesso continuo per installare il pannello in appoggio.

Kit with structure for plasterboard:
aluminium structure to be fixed directly on the continuous false ceiling for LED panel recessed-mounting installation.

Cadre pour encastrement dans faux-plafond:
cadre en aluminium à fixer directement sur faux-plafond continu pour l'installation du panneau en appui.

Rahmen für Gipskarton: Aluminium-Rahmen um die Panel direkt auf den kontinuierlichen Gipskarton zu fixieren.



AZ8/___ Caratteristiche - Features - Caractéristiques - Eigenschaften

Carter: struttura in alluminio verniciato bianco goffrato per installazione a plafone. Sistema componibile con viti e tappi coprivite.

Carter: white-embossed painted aluminium structure for ceiling installation. Screws and plastic plug needed for system version

Carter: structure en aluminium peint blanc pour installation au plafond.

Carter: Struktur aus weiss geprägt lackiertem Aluminium für Deckenmontage.

Accessori indispensabili, da ordinare separatamente - Essential accessories, to be ordered separately

Accessoires indispensables à commander séparément - Notwendige Zubehör separat zu bestellen

Code	Descrizione	Description	Description	Beschreibung
AX1/66	Kit molle a incasso per LPX66 foro incasso 580x580mm - n.6 molle	Kit springs for recessed version for LPX66 cut-out 580x580mm - n.6 springs	Kit 6 ressorts pour LPX66 trou encastrement 580x580mm	Kit 6 Federn für LPX66 Einbauöffnung 580x580mm
AX2	Kit staffe a plafone per LPX, n.8 staffe	Kit brackets for ceiling version for LPX, n.8 brackets	Kit pattes pour LPX, n.8 pattes	Kit für Decke für LPX, n.8 Halterungen
AX3	Kit a sospensione per LPX	Kit for suspension version for LPX	Kit pour version à suspendre LPX	Kit für Pendel für LPX
AX4/66	Carter bianco 600x600x58mm per LPX66	White carter 600x600x58mm for LPX66	Carter blanc 600x600x58mm pour LPX66	Carter weiss 600x600x58mm für LPX66
AX5/66	Telaio per cartongesso per LPX66, foro incasso 601x601mm	Structure for false ceiling for LPX66, cut-out 601x601mm	Cadre pour encastrement LPX66, trou encastrement 601x601mm	Rahmen für Gipskarton für LPX66, Einbauöffnung 601x601mm
AZ8/66	Carter bianco 600x600x74mm per LPX66	White carter 600x600x74mm for LPX66	Carter blanc 600x600x74mm pour LPX66	Carter weiss 600x600x74mm für LPX66